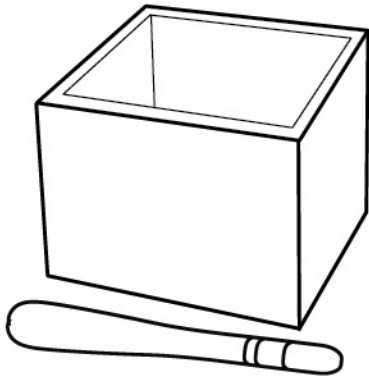


Name _____

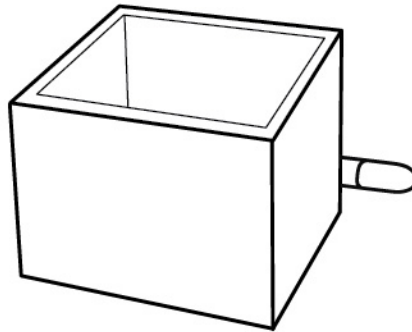
Date _____

Prepositions

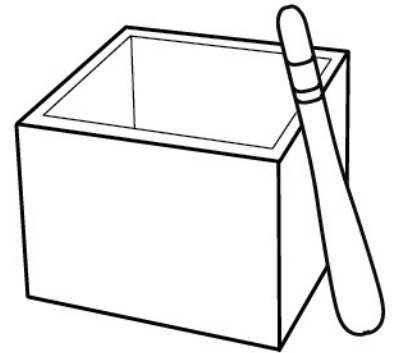
Where is the baseball bat? The baseball bat is . . .



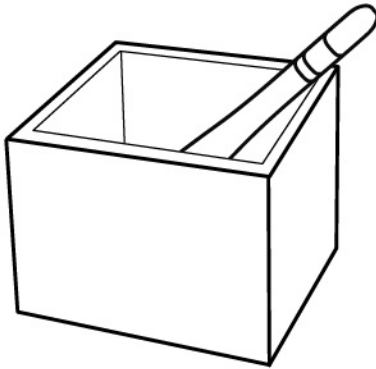
in front of the box.



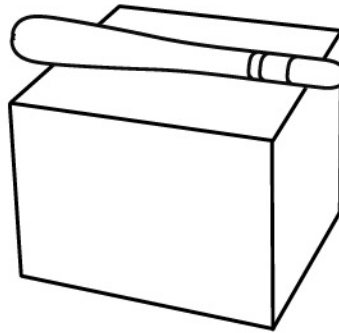
behind the box.



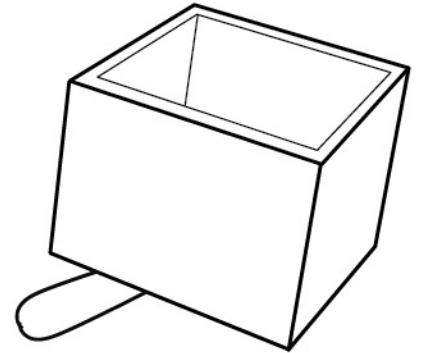
against the box.



in the box.



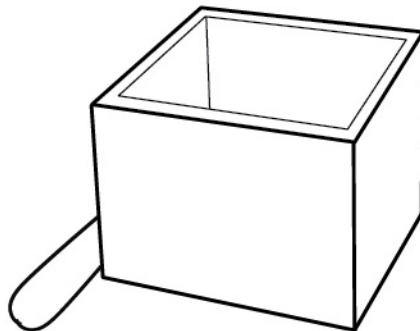
on the box.



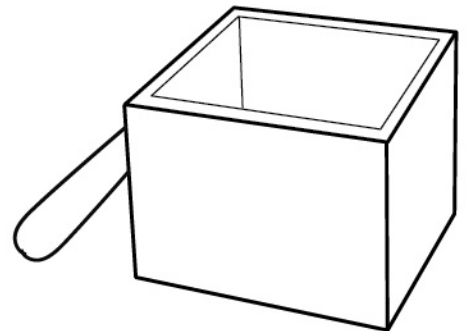
under the box.



over the box.



beside the box.



next to the box.